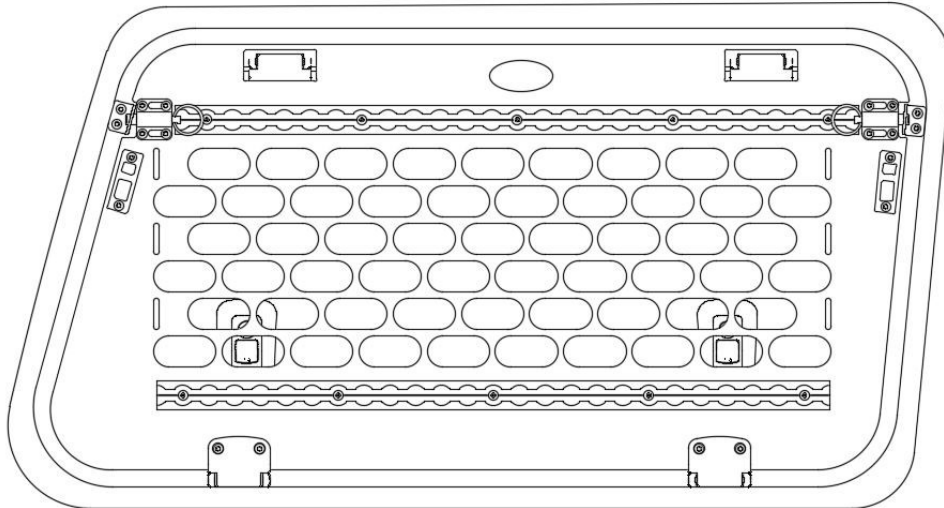




Installation guide Explore Overlander Light R65



Necessary materials:

- Screwdriver (PH2)
- Hex key set
- Hammer
- Cordless drill
- Masking tape
- Pencil
- Cloth and alcohol

We recommend that you read the manual carefully in advance and watch an instruction video on the YouTube channel of Explore Glazing: <https://youtu.be/IEDmnJvOXvU>

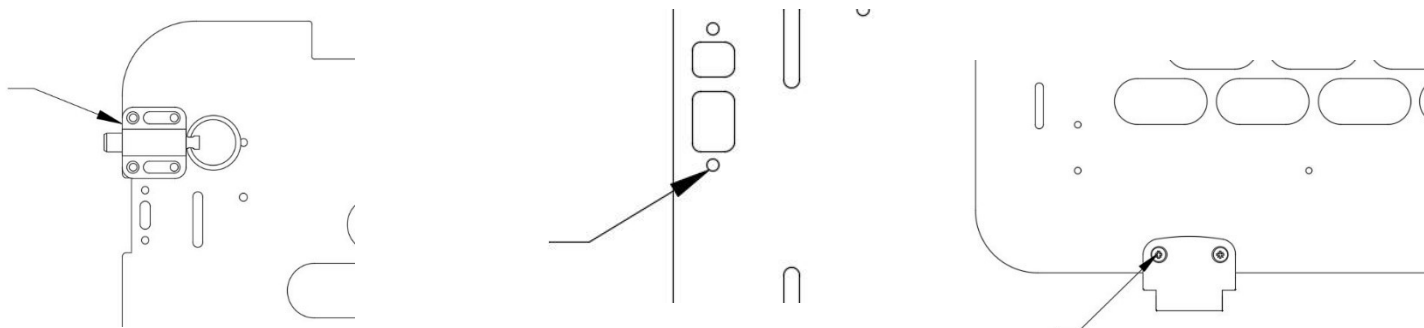
Please note: the video mentioned does not correspond to all models of the Explore Overlander and differs per car brand. This video is only intended to explain the various general operations and parts used.

It is important that the Explore Glazing products are mounted correctly and safely. Careless assembly can lead to accidents and serious damage and / or injury to you or others. If you have no technical experience or are not familiar with the general assembly instructions, we recommend that you have our products assembled by a competent company.

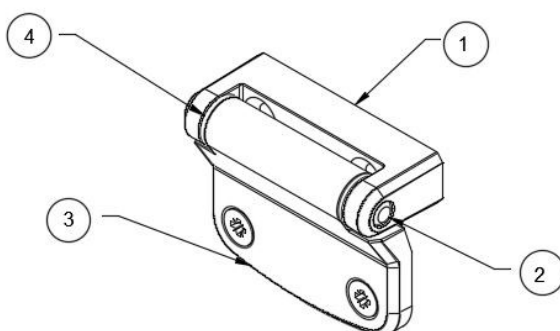
Important:

If the expedition window (gull wing) or sliding window has not yet been installed in your car, we recommend that you pre-mount the Explore Overlander Light on the window, but remove it again to install the expedition window or sliding window in the car. After the window has been installed and the adhesive has dried sufficiently (after 48 hours), you can reattach the Explore Overlander Light to the window.

1. Tap all required holes from the inside of the Overlander with an M5 machine tap. Lubricate the tap regularly with oil.
2. Gently clean the Overlander to avoid damage to the powder coating and turn the Overlander over.
3. Mount the hinge blades, spring latches and the protection plates with the accompanying screws on the Overlander.

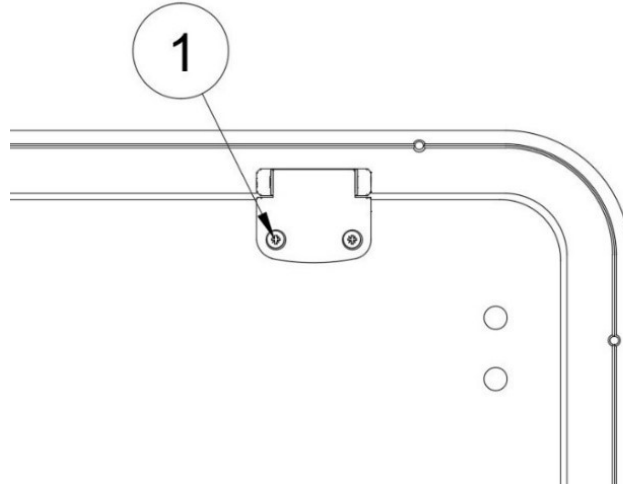


4. Install the plastic shoulder washer (4) in the hinge blade (3).
5. Attach the base plate (1) to the hinge blade (3) using the stainless steel pin (2).



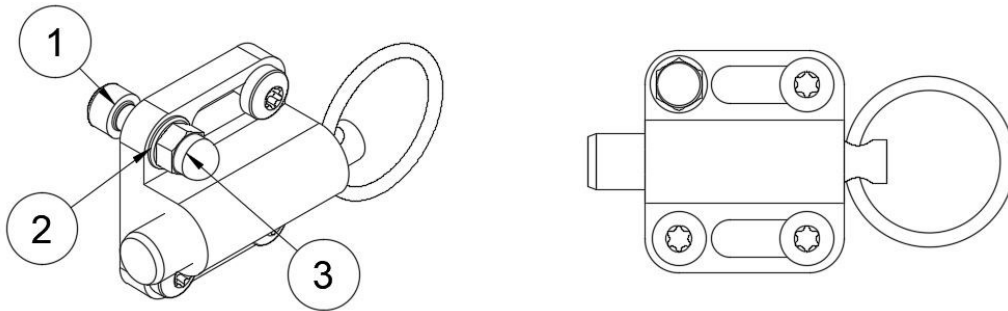
To avoid vibration of the Explore Overlander on the window:

- When installing an Explore Overlander on an expedition window, replace the inner screws of the hinge on the top of the window with the supplied M5 x 16 socket head cap screw (1). This head cap screw can be covered with the supplied plastic cover.



- When installing an Explore Overlander on a sliding window, replace the top screw of the spring latches with the supplied M5 x 20 socket head cap screw (1). This screw is covered with a plastic cover.

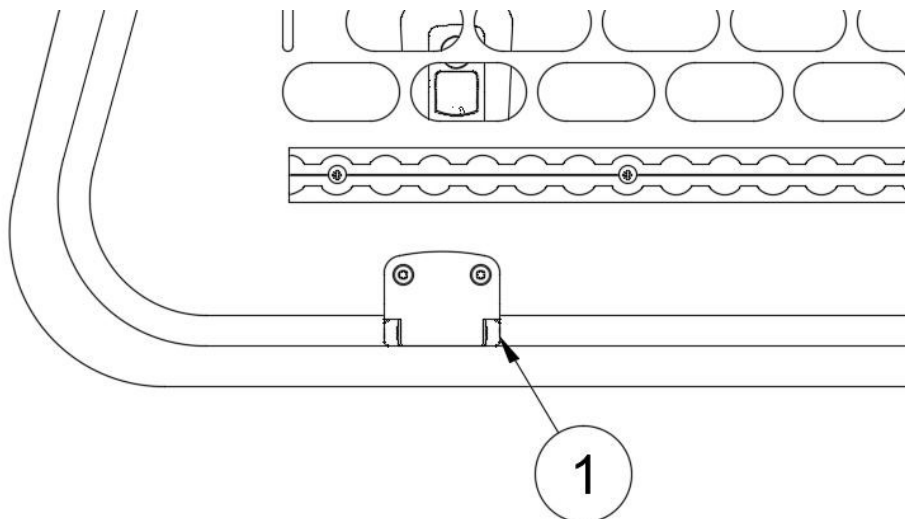
The socket head is placed on the inside of the Explore Overlander. The screw is covered on the outside with a washer (2) and an M5 cap nut (3).



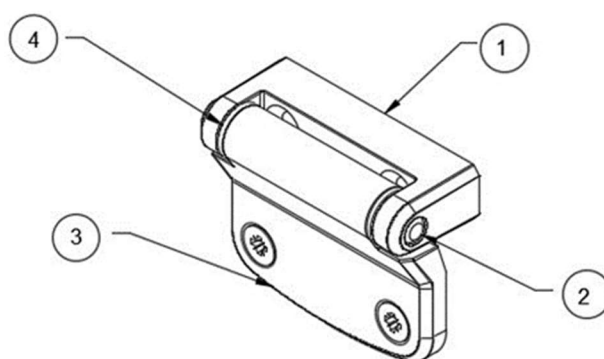
If desired, you can glue the plastic cover to prevent loss.

- Carefully place the Explore Overlander on the window and center it on the window.

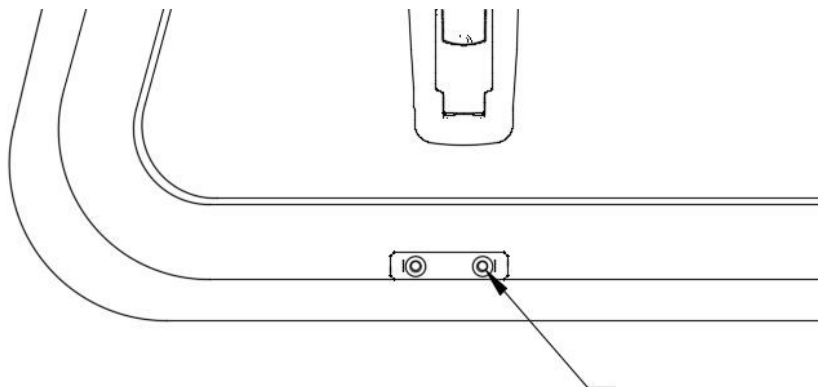
9. Now fix the position of the Overlander with masking tape and mark the position of the base plate (1) of the hinge on the Explore Glazing window with a pencil. Make sure that the base plate of the hinge is flush with the underside of the window frame.



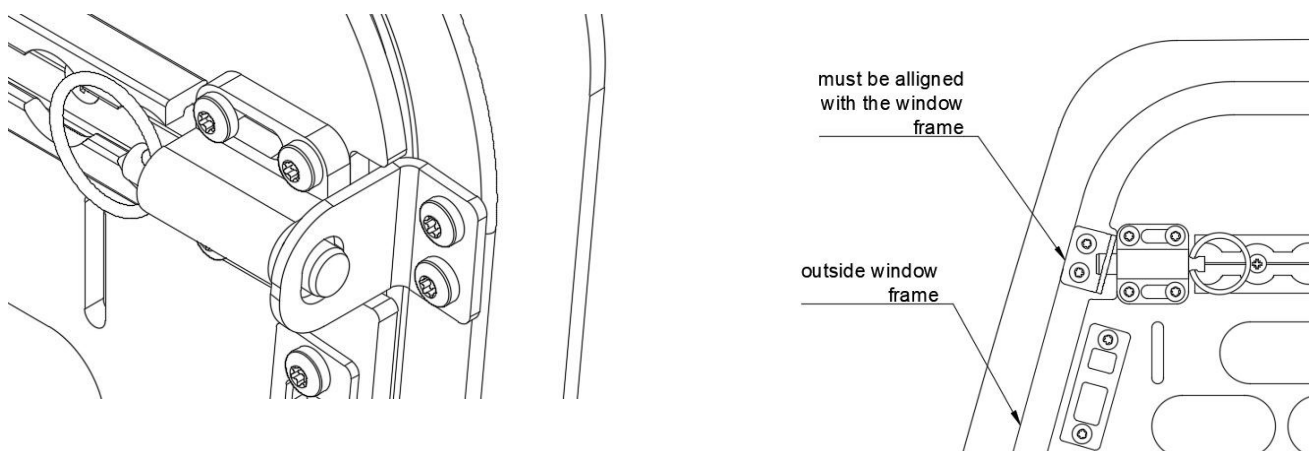
10. Double-check the position of the Overlander on the Explore Glazing window.
11. Now remove the Overlander from the window and release the base plate (1) from the hinge blade (3) by removing the stainless steel pin (2).



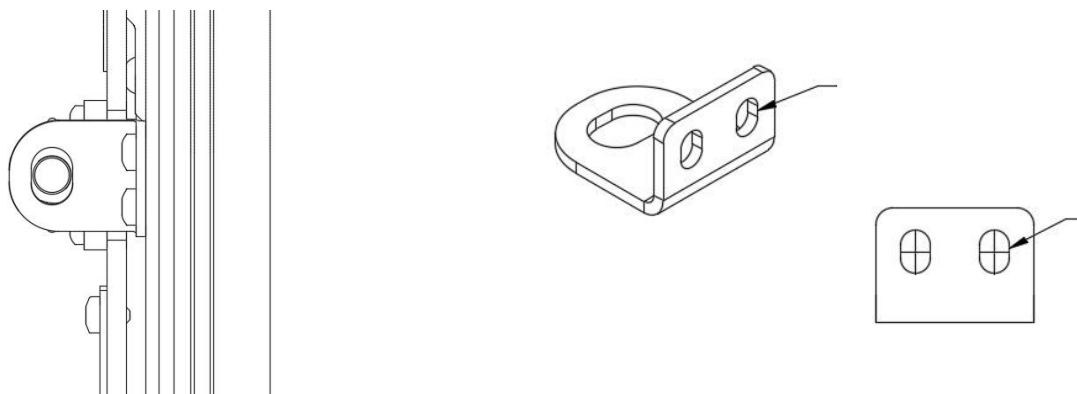
12. Place the base plate (1) of the hinge between the marked lines. Use the base plate as a template and lightly mark the holes with a 5.0 mm drill. DO NOT DRILL!



13. Drill the marked points of the base plate completely through the profile and the base plate with a drill 4.2 mm.
14. Tap these holes with an M5 machine tap. Regularly lubricate drill and machine tap with oil.
15. Clean the window frame to prevent damage to the window frame.
16. Place the base plates (1) of the hinges onto the frame of the Explore Glazing window with the corresponding screws.
17. Refit the hinge blades (3) between the base plates (1) of the hinge and attach the stainless steel pin. Don't attach the plastic clips.
18. Close the Explore Overlander so that the position of the closing brackets can be determined. You can optionally tape the Overlander to the window frame at the top to avoid movement.
19. Place the closing brackets on the frame, centering the opening of the closing brackets on the locking pin of the spring latch. The side of the closing bracket is flush with the side of the window frame.



20. Now copy the holes of the closing bracket with a pencil on the window profile and mark the center.



21. Drill these center points completely through with a 4.2 mm drill and tap these holes with an M5 machine tap. Lubricate drill and machine tap regularly with oil.
22. Clean the frame to prevent damage to the window frame.
23. Now fix the closing brackets with the supplied screws with a hand screwdriver, but do not tighten yet. Position the closing brackets, making sure that the locking pin of the spring latch protrudes sufficiently through the opening of the closing brackets. Now you can further tighten the screws by hand.

Important:

If the Explore Glazing window has not yet been installed in your car, remove the Explore Overlander from the window by removing the stainless steel pins from the hinges. You do not have to remove the base plate and the closing brackets.

Install the Explore Glazing window in your car according the installation manual.

After a waiting period of at least 48 hours, you can place the Explore Overlander back on the window by placing the stainless steel pins in the hinges again.

24. Now open the Overlander completely, so that the inside of the hinge is clearly visible. Now place the plastic clips in the hinge blade to fix the stainless steel pin.